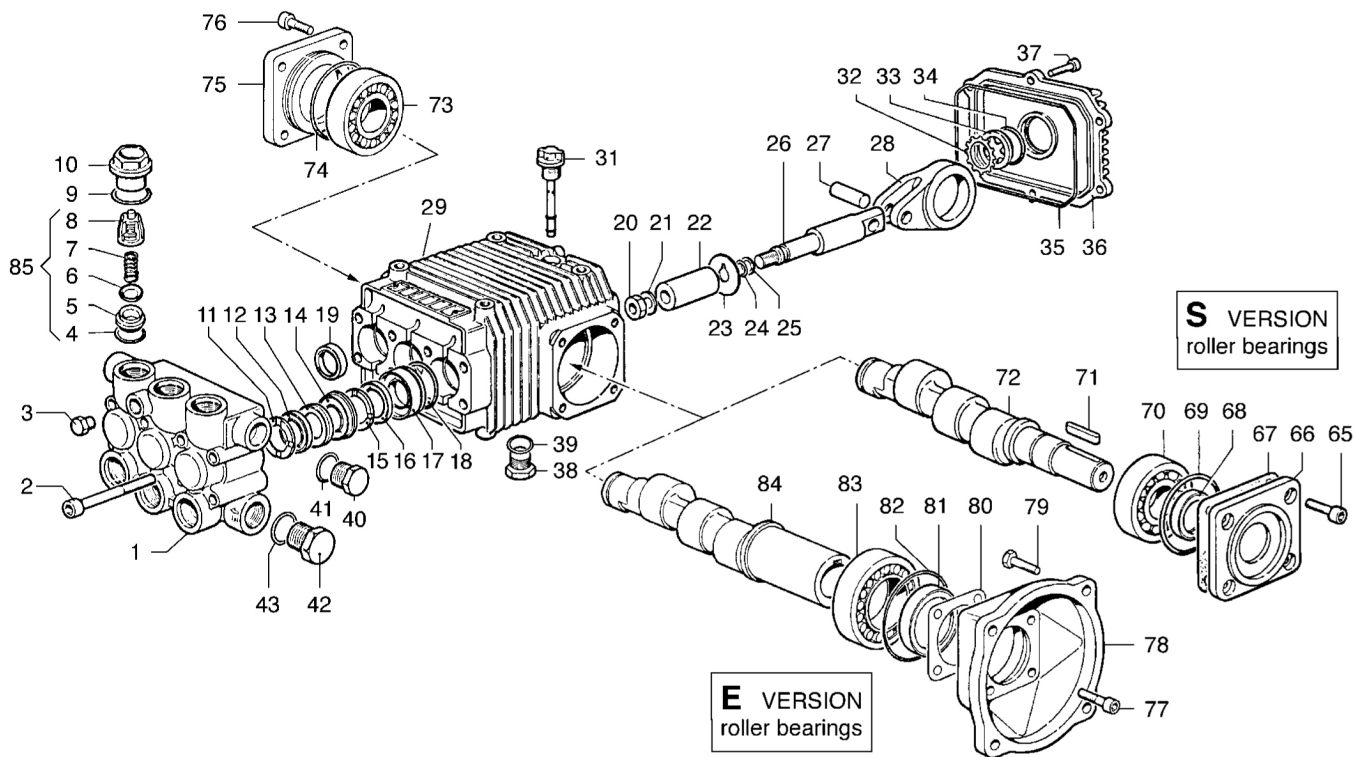


FW VERSION - ROLLER BEARINGS - 1450 RPM



ITEM	PART No.	KIT	DESCRIPTION	Qty.	MODELS
1	3218.0109.00		MANIFOLD Ø20 mm	1	5023 S - 5023 E 5030 S - 5522 S 5522 E - 5526 S 5530 S
	3218.0110.00		MANIFOLD Ø 18 mm	1	3016 S - 3525 S 3525 E - 3530 S 3530 E - 4030 S 4030 E
2	3609.0039.00		SCREW M8X70	8	
3	3202.0112.00		CAP G1/4	1	
4	1210.0046.00	A-D	O-RING 2,62X 17,13 mm	6	
5	3009.0087.00	A	VALVE SEAT	6	
6	3604.0017.00	A	VALVE PLATE	6	
7	1802.0177.00	A	SPRING	6	
8	1205.0025.00	A	VALVE CAGE	6	
9	1210.0048.00	A-D	O-RING 2,62X 20,24 mm	6	
10	3202.0155.00		CAP	6	
11	0009.0108.00	B	HEAD RING Ø20 mm	3	5023 S - 5023 E 5030 S - 5522 S 5522 E - 5526 S 5530 S
	0009.0199.00	B	HEAD RING Ø18 mm	3	3016 S - 3525 S 3525 E - 3530 S 3530 E - 4030 S 4030 E
12	1241.0032.00	B	PACKING Ø20 mm	3	5023 S - 5023 E 5030 S - 5522 S 5522 E - 5526 S 5530 S
	1241.0026.00	B	PACKING Ø18 mm	3	3016 S - 3525 S 3525 E - 3530 S 3530 E - 4030 S 4030 E
13	0009.0104.00	B	PACKING Ø20 mm	3	5023 S - 5023 E 5030 S - 5522 S 5522 E - 5526 S 5530 S
	0009.0100.00	B	PACKING Ø18 mm	3	3016 S - 3525 S 3525 E - 3530 S 3530 E - 4030 S 4030 E

ITEM	PART No.	KIT	DESCRIPTION	Qty.	MODELS
14	0009.0114.00		INTERMED. RING Ø20 mm	3	5023 S - 5023 E 5030 S - 5522 S 5522 E - 5526 S 5530 S
	0009.0200.00		INTERMED. RING Ø18 mm	3	3016 S - 3525 S 3525 E - 3530 S 3530 E - 4030 S 4030 E
15	0009.0108.00	B	HEAD RING Ø20 mm	3	5023 S - 5023 E 5030 S - 5522 S 5522 E - 5526 S 5530 S
	0009.0199.00	B	HEAD RING Ø18 mm	3	3016 S - 3525 S 3525 E - 3530 S 3530 E - 4030 S 4030 E
16	1241.0032.00	B	PACKING Ø 20 mm	3	5023 S - 5023 E 5030 S - 5522 S 5522 E - 5526 S 5530 S
	1241.0026.00	B	PACKING Ø 18 mm	3	3016 S - 3525 S 3525 E - 3530 S 3530 E - 4030 S 4030 E
17	0009.0106.00		PACKING RETAINER Ø20 mm	3	5023 S - 5023 E 5030 S - 5522 S 5522 E - 5526 S 5530 S
	0009.0102.00		PACKING RETAINER Ø18 mm	3	3016 S - 3525 S 3525 E - 3530 S 3530 E - 4030 S 4030 E
18	1210.0156.00	B-D	O-RING 1,78X31,47 mm	3	
19	0019.0066.00	D	OIL SEAL 20X30X5 mm	3	
20	0600.0054.00	C	NUT	3	
21	2811.0082.00	C	WASHER 8,2X17X1,5 mm	3	
22	0202.0024.00	C	PISTON Ø20 mm	3	5023 S - 5023 E 5030 S - 5522 S 5522 E - 5526 S 5530 S
	0202.0022.00	C	PISTON Ø18 mm	3	3016 S - 3525 S 3525 E - 3530 S 3530 E - 4030 S 4030 E